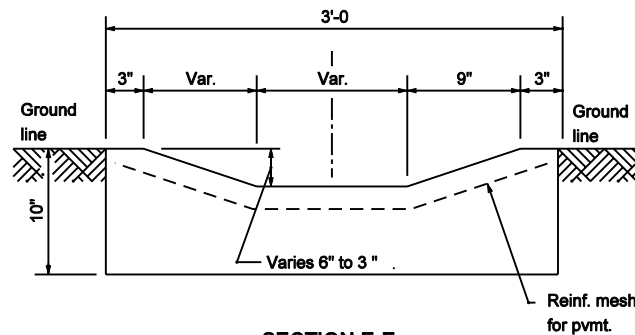
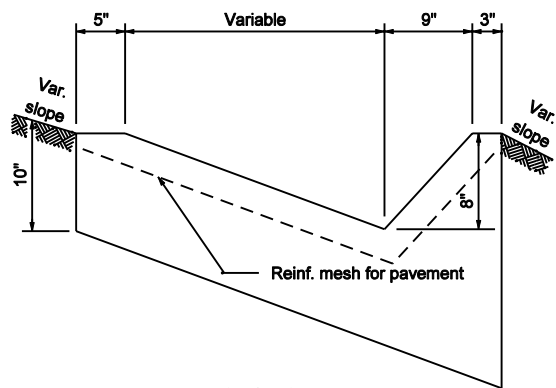
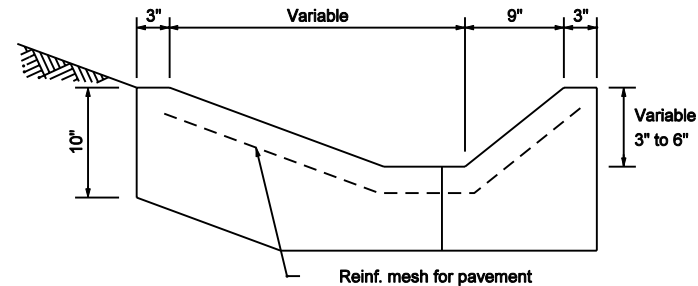
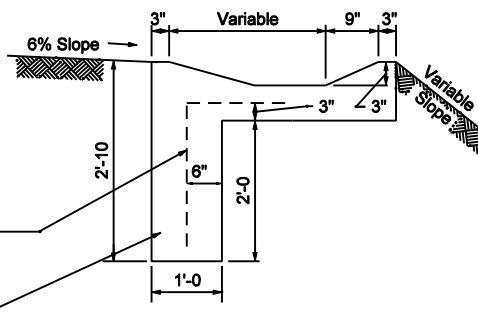
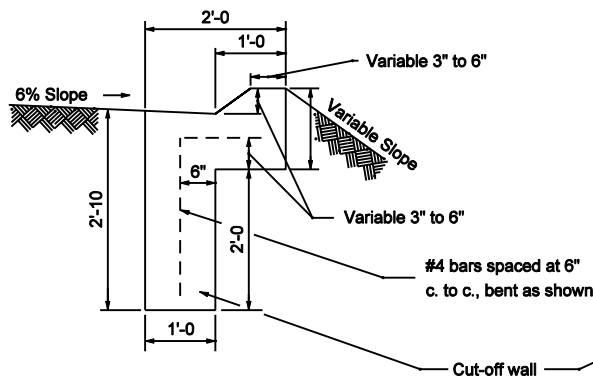
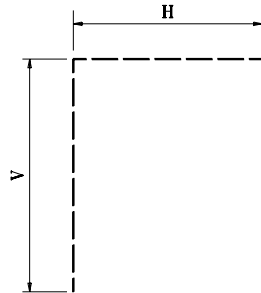
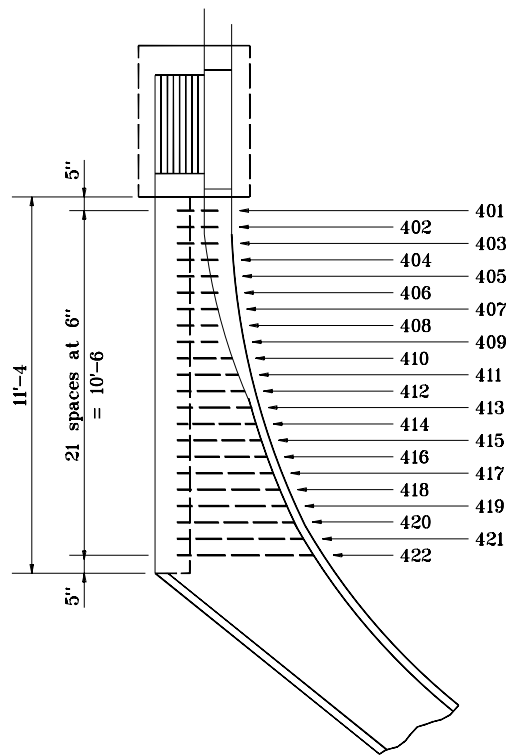


**GENERAL NOTES**

1. For location of details and sections see Standard Drawing E 605-GTRC-03.



INDIANA DEPARTMENT OF TRANSPORTATION	
REINFORCED CONCRETE GUTTER TURNOUT	
MARCH 2003	
STANDARD DRAWING NO. E 605-GTRC-01	
	/s/ Richard L. VanCleave 3-03-03 DESIGN STANDARDS ENGINEER DATE
	/s/ Richard K. Smutzer 3-03-03 CHIEF HIGHWAY ENGINEER DATE
DESIGN STANDARDS ENGINEER	

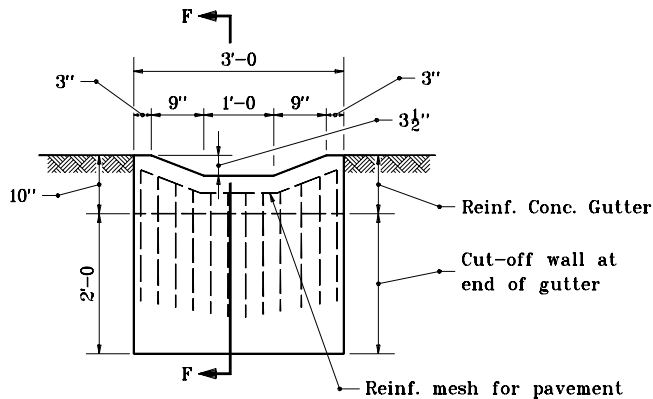


#4 BAR

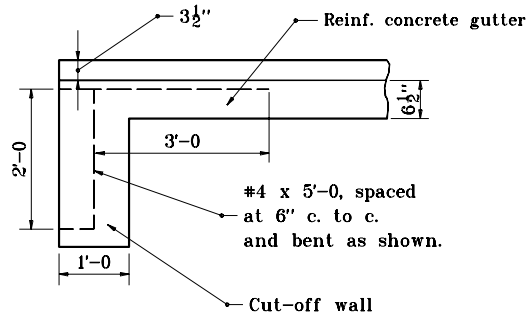
**REINFORCING PLAN CONCRETE GUTTER TURNOUT**

MK	QTY.	SIZE	BAR LENGTHS		
			V	H	TOTAL
401	1	#4	2'-0	1'-3	3'-3
402				1'-4	3'-4
403				1'-5	3'-5
404				1'-6	3'-6
405				1'-7	3'-7
406				1'-8	3'-8
407				1'-9	3'-9
408				1'-10	3'-10
409				1'-11	3'-11
410				2'-0	4'-0
411				2'-2	4'-2
412				2'-4	4'-4
413				2'-6	4'-6
414				2'-8	4'-8
415				2'-10	4'-10
416				3'-0	5'-0
417				3'-4	5'-4
418				3'-6	5'-8
419				3'-11	5'-11
420				4'-2	6'-2
421				4'-6	6'-6
422				2'-0	4'-10
423	3	#4	1'-3	3'-0	4'-3

MK 423 bars to be threaded, galvanized, and installed as shown in Detail B on Standard Drawing E 605-GTRC-01.

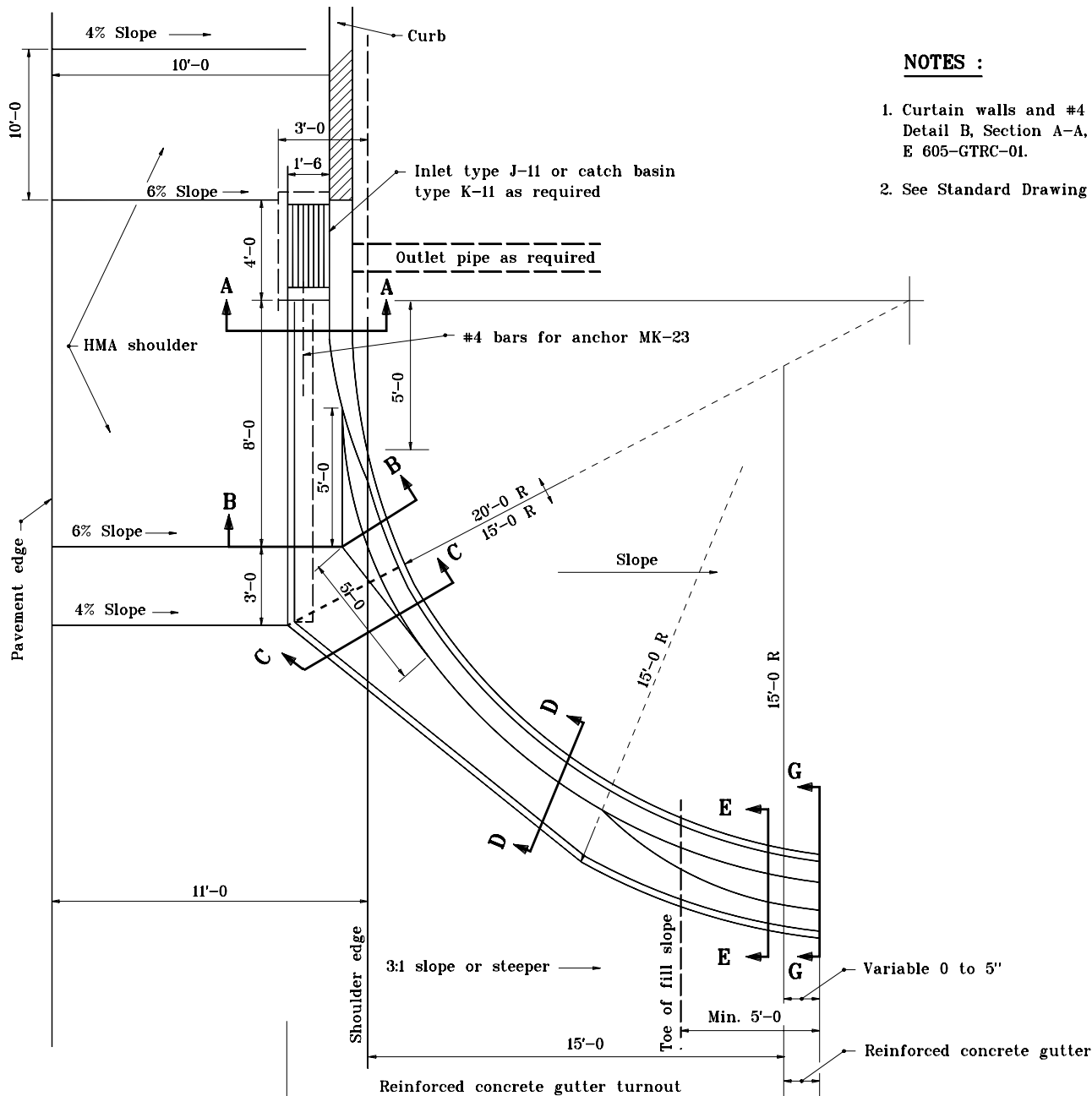


**SECTION G-G**



**SECTION F-F**

INDIANA DEPARTMENT OF TRANSPORTATION	
<b>REINFORCED CONCRETE GUTTER TURNOUT</b>	
SEPTEMBER 1997	
<b>STANDARD DRAWING NO. E 605-GTRC-02</b>	
	DETAILS PLACED IN THIS FORMAT 11-15-99
	/s/ Anthony L. Uremovich 11-15-99 DESIGN STANDARDS ENGINEER DATE
/s/ Firooz Zandi 11-15-99 CHIEF HIGHWAY ENGINEER DATE	ORIGINALLY APPROVED 9-01-97



**NOTES :**

1. Curtain walls and #4 bars for anchor MK-23 shown in Detail A, Detail B, Section A-A, and Section B-B on Standard Drawing E 605-GTRC-01.
2. See Standard Drawing E 605-GTRC-02 for sections F-F and G-G.

INDIANA DEPARTMENT OF TRANSPORTATION	
<b>REINFORCED CONCRETE GUTTER TURNOUT</b>	
JANUARY 1999	
<b>STANDARD DRAWING NO. E 605-GTRC-03</b>	
	DETAILS PLACED IN THIS FORMAT 11-15-99 /s/ Anthony L. Uremovich 11-15-99 DESIGN STANDARDS ENGINEER DATE
DESIGN STANDARDS ENGINEER	/s/ Firooz Zandi 11-15-99 CHIEF HIGHWAY ENGINEER DATE ORIGINALLY APPROVED 1-04-99